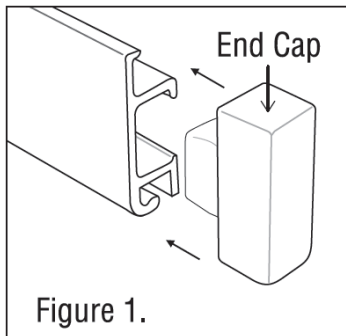


Directions - Slimline End Caps

End Caps give a finished look to the track when ends are exposed.

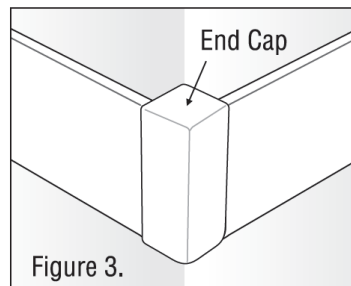
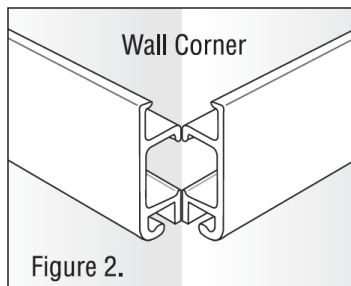
Prepare the ends of the Slimline track – Use a small file to remove rough edges and to ensure track ends are square.

FITTING THE END CAP TO A SINGLE LENGTH OF TRACK



Push the End Cap into the end of the Slimline track (see *Figure 1*) with the curved section of the End Cap at the bottom.

FITTING THE END CAP TO AN OUTSIDE CORNER



After preparing the ends of the Slimline track (as described above), install the track so the ends are flush with the outside corner of the wall (see *Figure 2*). If installing a number of lengths of track in a row, install the lengths adjacent to the outside corner first. Once the tracks are installed, insert one Slimline End Cap into the end of one of the tracks with the curved section of the End Cap at the bottom. One End Cap is designed to cover both ends of the tracks that meet on an outside corner (see *Figure 3*).

NOTE: INSIDE CORNERS do not expose the track ends, so End Caps are not required.