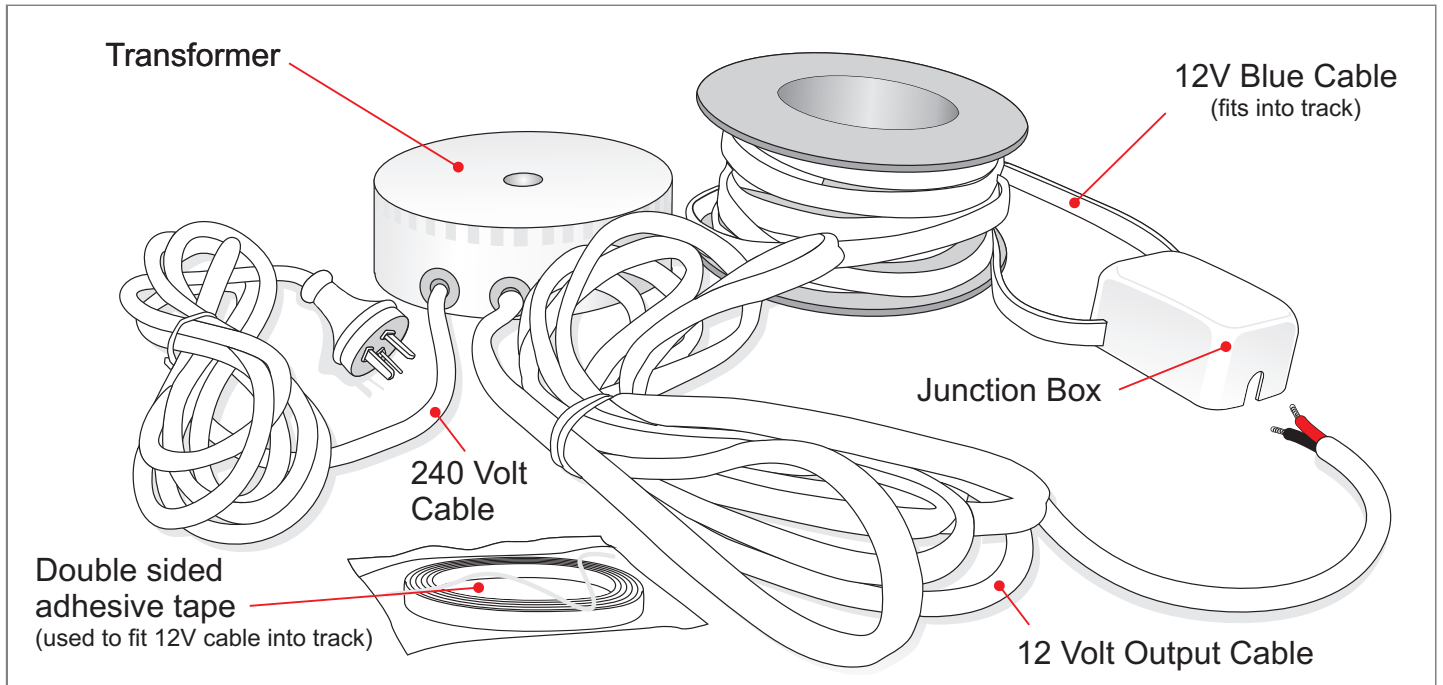


lighting The Gallery System

DIRECTIONS



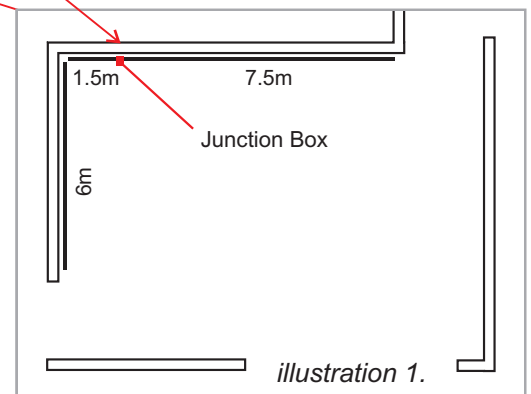
PLANNING YOUR LIGHTING SYSTEM

1 The Rules of the Game

Low voltage power (12 volt) unlike high voltage (240 volt) cannot travel long distances, so this will affect where you position the Junction Box. This box carries the 12 volt current and connects to the flat blue cable which fits into the top of the track. It is recommended to locate the Junction Box near the middle of the system as shown in the example on *illustration 1*.

We offer three transformer sizes depending on the size of your installation. For smaller installations we offer a 105 watt electronic transformer which will light up to 4 x 20 watt lamps (maximum distance - 3m of track). For larger installations we offer a 300 va transformer which will light up to 12 x 20 watt lamps (maximum distance - 15m of track) and a 300 va mini transformer which will light up to 18 x 7 watt LED lamps (maximum distance - 20m of track).

IMPORTANT The 300va mini transformer used to run LED lamps has a minimum load of two lamps. It will not light just one lamp.



2 Height of Track

Recommended height is 2.4 to 2.7 metres. Our system is highly effective because it positions the lamps close to the art. If the lights are placed too high (a) less light reaches the art. (b) the oblique angle further reduces effectiveness.

3 Need help to plan your system?

If you need help send us a floor plan and indicate where the track and lights are to go. Include the location and height of available power points so we can plan the job and work out a quotation.

lighting The Gallery System

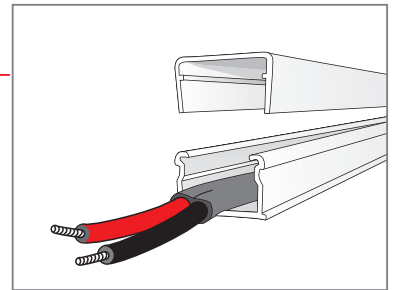
INSTALLATION

Positioning the Transformer

The transformer reduces 240v mains power to a safe 12v. If the transformer is to be mounted on the wall or the floor, it can be fixed to the wall or simply placed on the floor against the skirting. If you use an electrician he may install the transformer above the ceiling and carry the 12 volt cable down inside the wall.

Large jobs may be divided into two or more systems, each with its own transformer. see "*Fixing the Transformer*".

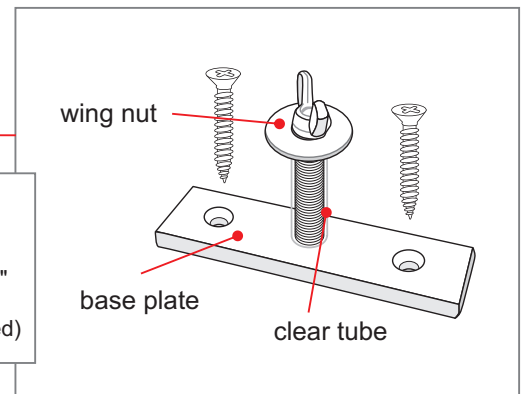
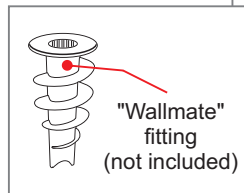
If the transformer is mounted on the wall we recommend using plastic conduit as shown to hide the cable. Available from your local electrical wholesaler, it can be fixed to the wall using double-side adhesive tape (hardware item).



Fixing the Transformer

(for 300va mini transformer used with LED lamps)

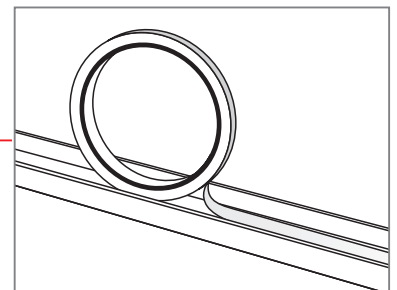
- Screw the base plate to the wall (or other surface). For plasterboard walls use 'wallmate' fittings (hardware item).
- Fit the clear tube over threaded rod.
- Fit the transformer, then add washer and wing nut to fasten.



Cutting the Track and Fitting the Double-sided Tape

Cut the track with a hacksaw where needed. Allow a 58mm gap where the Junction Box is to go.

BEFORE SCREWING THE TRACK INTO PLACE, fit the Double-sided Tape to each length of track as shown. DO NOT remove the paper cover from the tape as it will attract dust and grit while you are fixing the track. IT IS MUCH EASIER TO FIT THE TAPE BEFORE THE TRACK IS FIXED TO THE WALL.



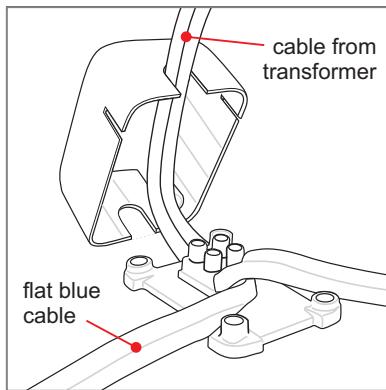
Fixing the Track

Leave at least a 15mm gap between the track and the ceiling or cornice so there is room to fit the light wands. Screw the track to the wall using 25mm pan head self tapping 8 gauge screws or similar, spaced 500mm apart. (for more detail go to www.thegallerysystem.com)

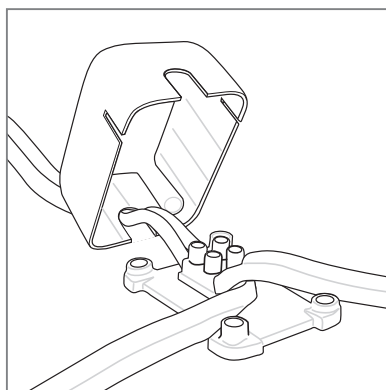
lighting The Gallery System

INSTALLATION

Connecting the Black 12volt Cable to the Junction Box

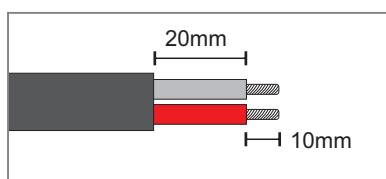


If transformer is fitted ABOVE THE TRACK Measure cable length to the outside of Junction Box and add 30mm extra. Strip insulation as shown below.



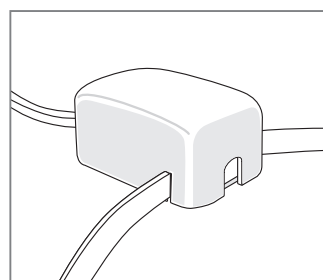
If transformer is fitted BELOW THE TRACK Measure cable length to the outside of Junction Box and add 50mm extra. Strip insulation as shown below.

Stripping the Insulation (blue flat cable)



Trim the ends as shown being careful not to cut into the copper wire. Twist the bared ends of the wires and fit into the two available holes in the connector inside the Junction Box and tighten the screws. Put the lid in place so the blue cables fit into the side slits and screw the lid down.

Fitting the Junction Box and Flat Blue Cable

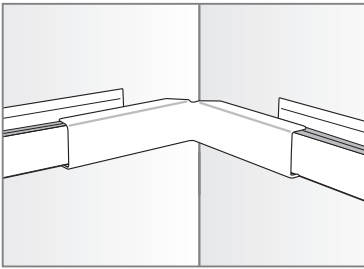


First peel the paper cover from the Double-sided Adhesive Tape you have already fitted into the track. On smooth surfaces the Junction Box can be fixed in place using the adhesive tape fitted to the back. On rougher surfaces screw in position. Fit box into the 58mm gap you have left in the track so the blue cable is level with the double-sided tape in the track. Now lay the blue cable into the track taking care it lies straight and press down firmly.

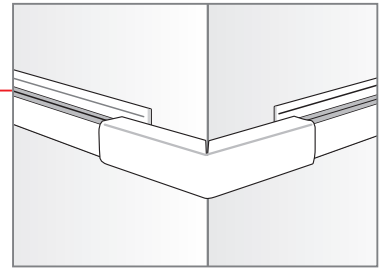
lighting The Gallery System

INSTALLATION

Corner Covers



These cover the blue cable where it goes around corners. Two types to suit inside and outside corners. Also straight covers to hide the blue cable if there's a gap in the track. Covers available in two finishes to match track.



Fitting the Light Wands

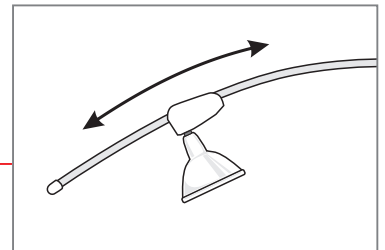
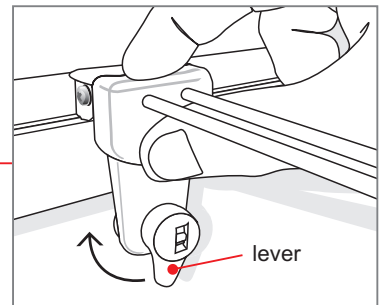
IMPORTANT - USE THUMB POWER!

First fit the lamp into its socket. Then check the lever is in the down position as shown. Hold the light wand in position on the track and plant your thumb firmly as shown.

This is very important as it ensures the wand is perfectly straight. Then turn the lever half a turn clockwise. This movement forces sharp probes to penetrate the blue cable and make electrical contact so if the power is on the lamp will light up as you turn the lever.

REMEMBER - if it's not straight it won't work!

To adjust the angle of the light just slide the lamp socket fitting up or down as shown.



Choice of Lamps

You can use Halogen or LED lamps with the system. Halogen lamps are quite cheap but may only last 3,000 hours. LED lamps are much dearer to purchase and yet cheaper to use as their operating life is up to 30,000 hours. They also offer a broader beam of light (60 degrees as against 40 degrees). They also cut your running cost by half or more.

DO NOT USE 50 WATT DOMESTIC LAMPS. They will fit into the socket but may cause serious damage to your light wands.

Maintenance

Dust on the light wands can cause electrical problems. Wipe clean occasionally.

Gallery Systems

A division of Bimani P/L ABN. 29 003 007 387